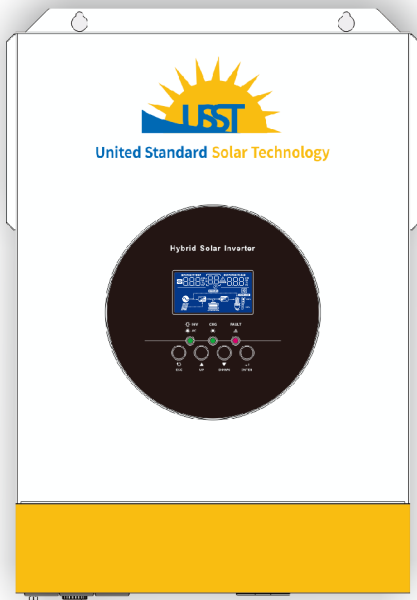


Hybrid Solar Inverter 3.5KW-5.5KW

3.5~5.5KW 220V/230Vac Output

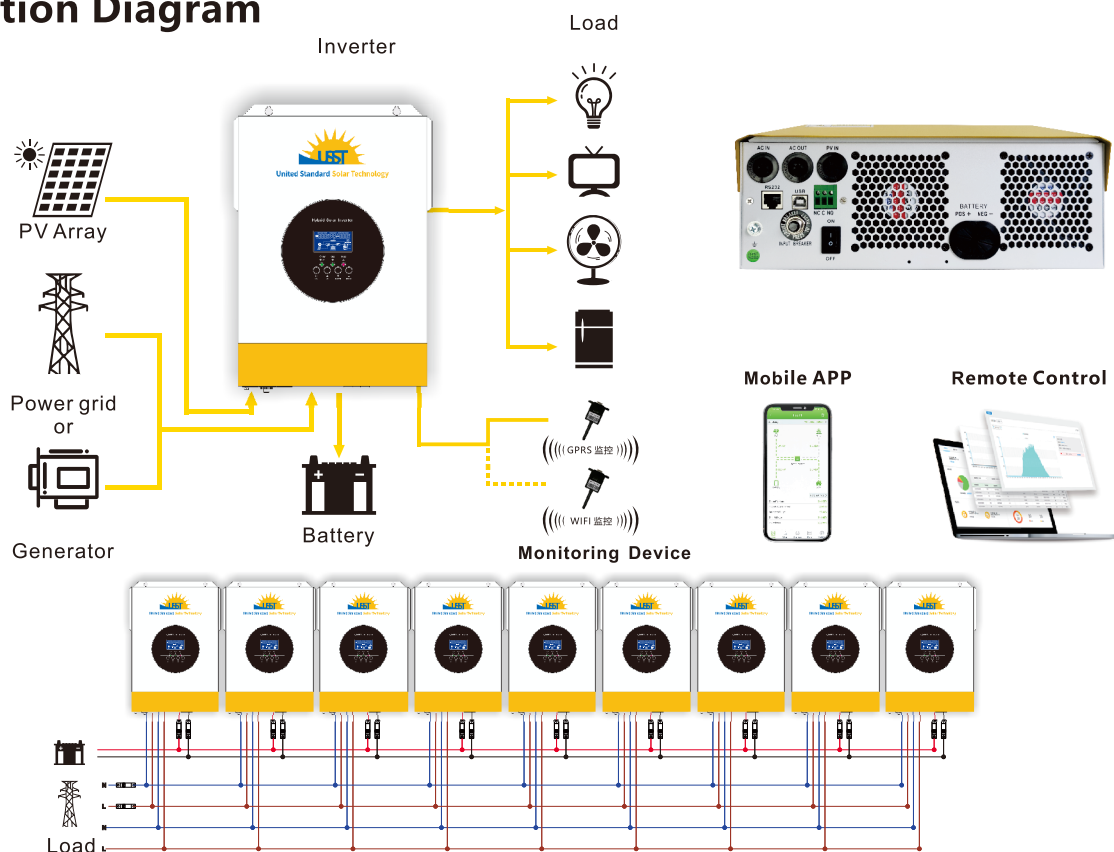


Features

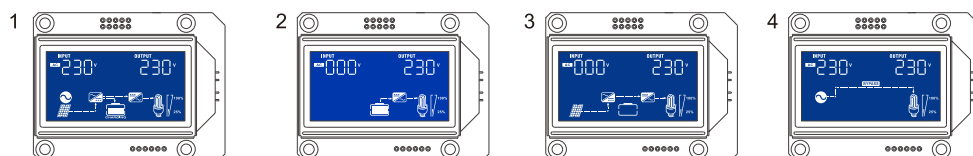
- Pure sine wave solar inverter
- Output power factor 1
- High PV input voltage range
- Built-in MPPT solar controller
- Battery equalization function to optimize battery performance and extend lifecycle
- Inverter running without battery
- Built-in anti-dusk kit for harsh environment
- Parallel operation with up to 9 units, support parallel in 1phase/3phase, support wireless parallel
- Support multiple output priority: UTL, SOL, SBU, SUB
- WiFi/GPRS remote monitoring(Optional)
- RS485 communication for BMS(Optional)

This is a multi-functional inverter/charger, combining functions of inverter, solar charger and battery charger to offer uninterruptible power support in portable size. Its comprehensive LCD display offers user-configurable and easy-accessible button operation such as battery charging current, AC/solar charger priority, and acceptable input voltage based on different applications.

Application Diagram



System Diagram



1. With battery, solar and AC available
2. With battery, solar and AC not available
3. Without battery, solar available
4. Without battery, AC available

Technical Data

MODEL	USST- 3500 HHS-24	USST- 5500 HHS-48	USST- 5500 HHP-48
CAPACITY	3.5KVA/3.5KW	5.5KVA/5.5KW	5.5KVA/5.5KW
Parallel Capability	NO	NO	Yes,9pcs
INPUT			
Nominal Voltage	230VAC		
Acceptable Voltage Range	170-280VAC(For personal Computer);90-280VAC(For Home Appliances)		
Frequency	50/60 Hz (Auto sensing)		
OUTPUT			
Nominal Voltage	220/230VAC±5%		
Surge Power	7000VA	11000VA	11000VA
Frequency	50/60 Hz		
Waveform	Pure Sine wave		
Transfer Time	10ms(For personal Computer);20ms(For Home Appliances)		
Peak Efficiency (PV to INV)	96%		
Peak Efficiency (Battery to INV)	93%		
Overload Protection	5s@>=150% load; 10s@110%~150% load		
Crest Factor	3:1		
Admissible Power Factor	0.6~1 (inductive or capacitive)		
BATTERY			
Battery Voltage	24VDC	48VDC	48VDC
Floating Charge Voltage	27VDC	54VDC	54VDC
OverCharge Protection	33VDC	63VDC	63VDC
Charging Method	CC/CV		
Solar Charger & AC Charger			
Solar Charger TYPE	MPPT		
Max.PV Array Power	4000W	5500W	5500 W
Max. PV Array Open Circuit Voltage	500VDC		
PV Array MPPT Voltage Range	120VDC~450VDC		
Max. Solar Input Current	15A	18A	18A
Max. Solar Charge Current	100A	100A	100A
Max. AC Charge Current	60A	60A	60A
Max. Charge Current	100A	100A	100A
PHYSICAL			
Dimensions, D x W x H(mm)	482x290x113		
Package Dimensions, D x W x H(mm)	565x380x190		
Net Weight (Kgs)	9	10	10
Communication Interface	USB/RS232/Dry-contact		
ENVIRONMENT			
Operating Temperature Range	-10°C to 50°C		
Storage temperature	-15°C~ 60°C		
Humidity	5% to 95% Relative Humidity (Non-condensing)		

Product specifications are subject to change without further notice.